

DESCRIPTION

- Multilingual calendar, SMD LED technology for indoor installation.
- Hours, minutes, date, day and week display.
- Fixed or alternate data on central display: temperature (probe integrated to the clock), seconds, week number or day number
- Ability to alternately display the month and the day of the week in 2 languages.
- Height of digits 7 cm (letters 5cm), optimal viewing distance: 30 metres.
- Angle of vision: 120°.
- LED colours: red, green, yellow, blue and white.
- Models: independent, impulse, wireless DCF, wireless DHF, AFNOR, NTP/ETH and NTP/Wi-Fi.



STANDARDS

- CEM : EN55032 (2012), EN55024 (2010).
- LVD : EN62368-1, EN62311 (2008).
- RED (radio models) : EN330-2 (V2.1.1).
- IEEE 802.11 b/g (NTP/Wi-Fi model)

GENERAL FEATURES

- **Adjustable brightness**..... 4 levels.
- **Display mode**..... 12 or 24 hour.
- **Eco mode**..... Programmable energy saving or predefined over a time period.
- **Time change**..... Automatic summer/winter time changeover and perpetual calendar.
- **Time base backup**.....
 - Independent model: 15 days in case of power failure.
 - Impulse model: in case of power failure, data saving and impulses reception without battery.
 - Synchronised models: at each start the clocks wait for the synchronisation signal.
- **Time accuracy**..... 0.2 second/day (except NTP model: precision dependent on the time server).
- **Operation**..... Silent.
- **Digit**..... 7 segments with 4 LEDs each.
- **Hours and minutes separating**..... Colon made of LEDs.
- **Configuration**..... 2 capacitive buttons.
- **NTP/ETH and NTP/Wi-Fi models**.....
 - Synchronisation unicast, multicast and by DHCP.
 - Advanced configuration from the embedded web server.

MECHANICAL FEATURES

- **Construction**..... PC/ABS black (IP30, IK07) and PPMA Poly (methyl methacrylate) cristal.
- **Operating temperature range**..... -5 to +55°C.
- **Weight**..... 1.135 Kg.
- **Dimensions**..... See on the back.

ELECTRICAL FEATURES

- **Power supply**.....
 - Independent, impulse, AFNOR, DHF and NTP/Wi-Fi models: 100-240VAC.
 - Wireless DCF model: 230VAC.
 - NTP/ETH model: PoE (Power over Ethernet) – class 0.
- **Consumption (max)**.....
 - 100-240 VAC ; 250-150 mA.
 - 230 VAC ; 35 mA.
 - NTP/ETH receiver ; 6,5 W (red, green, yellow) ; 2,2 W (blue, white).
- **Electric protection**.....
 - NTP/ETH model: Class 3.
 - Other Synchronisations: Class 2.

STYLE 7 DATE REFERENCES

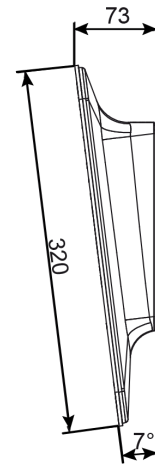
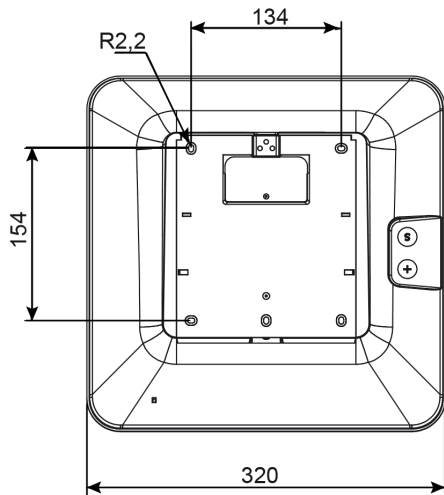
- | | |
|--|---|
| • 946 61x Independent model | • 946 67x NTP/ETH model |
| • 946 62x Impulse model | • 946 68x NTP/Wi-Fi model |
| • 946 63x DCF model | • 946 003 Double sided hanging bracket |
| • 946 64x DHF model | • 946 004 Single sided hanging bracket |
| • 946 65x AFNOR model | • 946 080 External Wi-Fi antenna |

• Specify the LED colour by replacing the "x" in the reference number by: 1: red - 2: green - 3: yellow - 4: blue - 5: white



WALL MOUNTING

Dimensions in mm

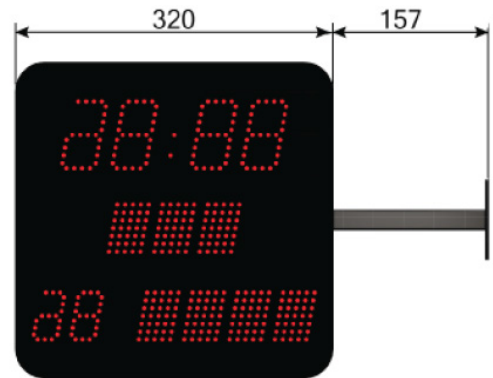
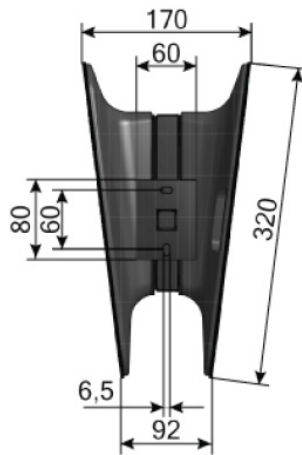


MOUNTING ON HANGING BRACKET

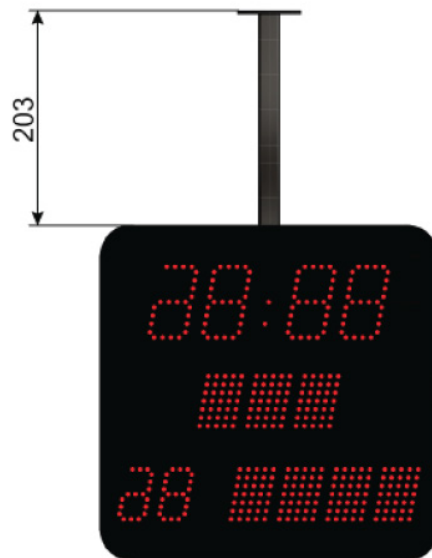
- The hanging bracket makes possible to hang the clock from the ceiling or from the wall.
- Construction: Steel.
- Colour: Black.

Dimensions in mm

Double sided



Single sided



DESCRIPTION

- Style 7D flush mounting digital clock having the same electronics and the same operation than the normal version except for the temperature. However the mechanics are different to allow for flush mounting in a wall.
- LED colours: red.
- Models: independent, impulse, wireless DHF*, AFNOR and NTP/ETH.

FLUSH MOUNT VERSION



GENERAL FEATURES

- Same as Style 7D normal version (see page 1).

MECHANICAL FEATURES

- **Construction**..... Black steel (IP30, IK07) and PMMA (poly methyl methacrylate) cristal.
- **Operating temperature range**..... -5 to +55°C.
- **Weight**..... 1.570 kg (NTP: 1.530 kg).
- **Dimensions**..... See next page.

ELECTRICAL FEATURES

- Same as Style 7D normal version (see page 1).

REFERENCES STYLE RECESSED 7D (BY SYNCHRONISATION)

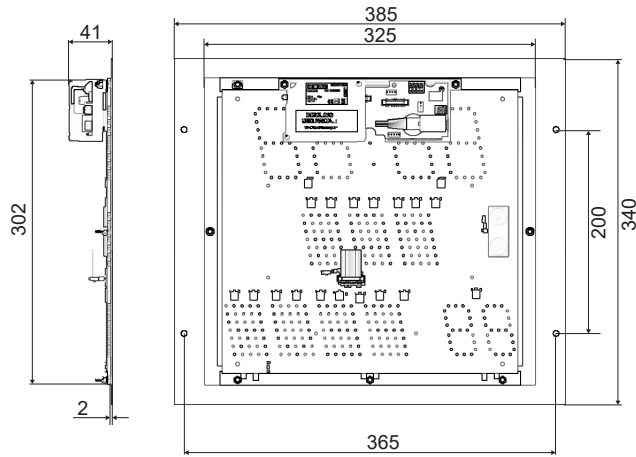
- 946 611 F..... Independent model
- 946 621 F..... Impulse model
- 946 641 F..... DHF model*
- 946 651 F..... AFNOR model
- 946 671 F..... NTP/ETH model
- 946 016..... Back cover for flush mounting

* Flush mounting is possible but not in metallic partition or equivalent which would perturb the reception of radio signal.

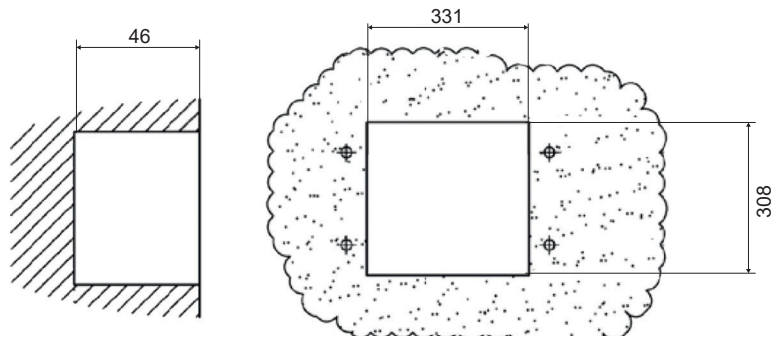
DIMENSIONS

Dimensions in mm

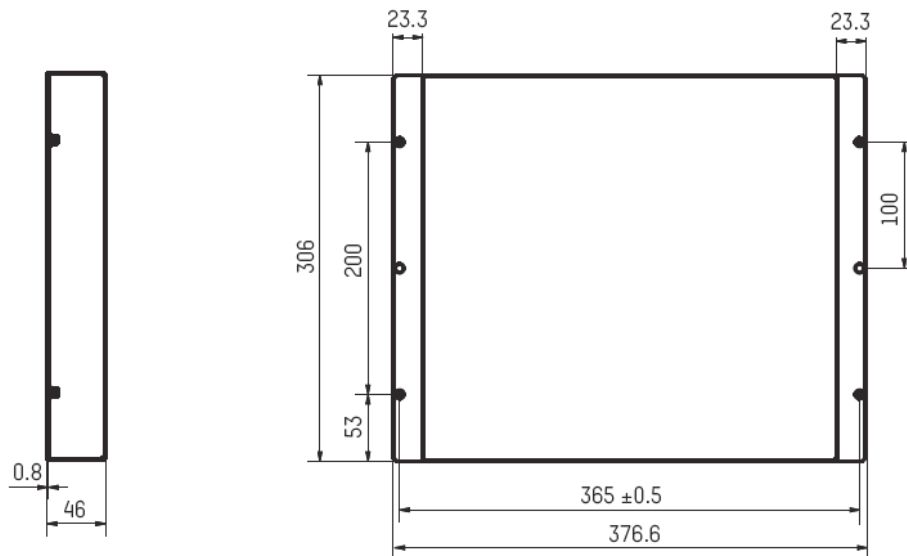
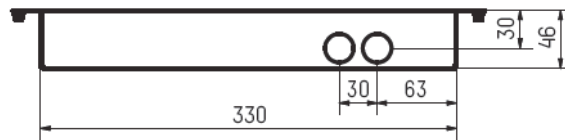
Clock



Size



Flush mounting back cover



WATERPROOF VERSION



DESCRIPTION

- Style 7D waterproof digital clock having the same electronics and the same operation than the normal version. However the mechanics are different to allow for an IP55 Ingress protection rating.
- LED colours: red.
- Models: independent, impulse, DHF, AFNOR and NTP/ETH.

GENERAL FEATURES

- Same as Style 7D normal version (see page 1).

MECHANICAL FEATURES

- Same as Style 7D normal version (see page 1).
- In order to guarantee an IP55 Ingress Protection, the grommets are waterproof and silicon seals are installed between the bracket and the clock casing.

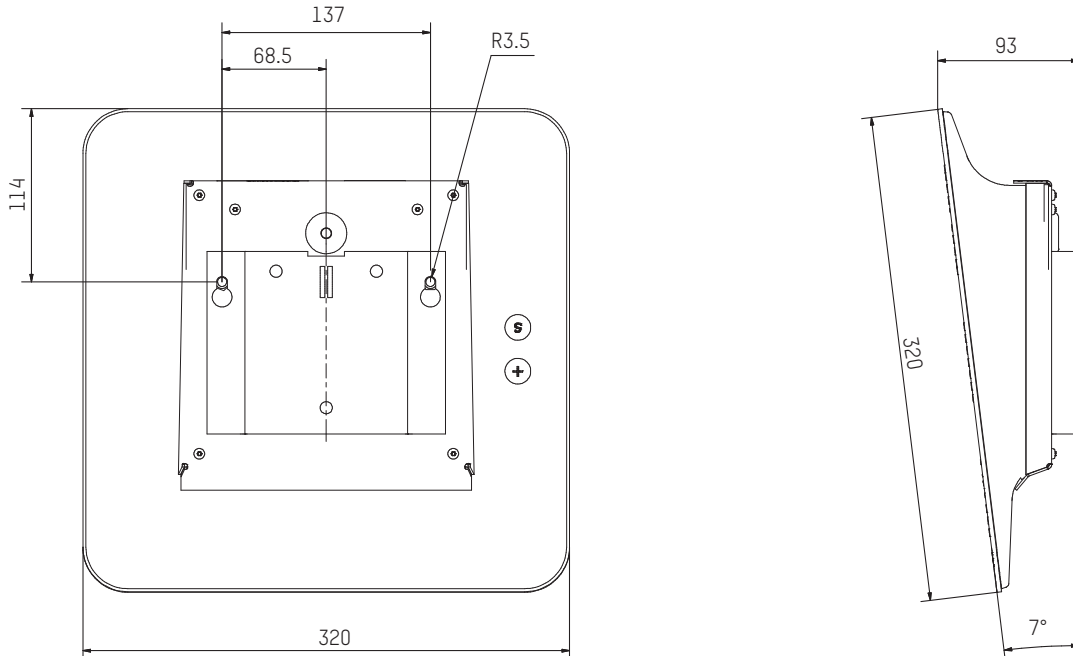
ELECTRICAL FEATURES

- Same as Style 7D normal version (see page 1).

DIMENSIONS

- Dimensions for wall mounting:

Dimensions in mm



REFERENCES STYLE 7D WATERPROOF (BY SYNCHRONISATION)

- 946 611 A..... Independent model
- 946 621 A..... Impulse model
- 946 641 A..... DHF model
- 946 651 A..... AFNOR model
- 946 671 A..... NTP/ETH model