

## DESCRIPTION

- SMD LED technology for indoor installation.
- Hours and minutes display.
- Fixed or alternate time with date or week number display or temperature (probe integrated in the clock).
- Height of digits 7 cm, optimal viewing distance: 30 metres.
- Angle of vision: 120°.
- LED colours: red, green, yellow, blue and white.
- Models: independent, impulse, wireless DCF, wireless DHF, AFNOR, NTP/ETH and NTP/Wi-Fi.



## COMPLIANCE

- Directive EMC 2014/30/EU
- Directive LVD 2014/35/EU
- Directive RED 2014/53/EU
- IEEE 802.11 b/g (NTP/Wi-Fi model)

## GENERAL FEATURES

- **Adjustable brightness**..... 4 levels.
- **Display mode**..... 12 or 24 hour.
- **Eco mode**..... Programmable energy saving or predefined over a time period.
- **Time change**..... Automatic summer/winter time changeover and perpetual calendar.
- **Time base backup**.....
  - Independent model: 15 days in case of power failure.
  - Impulse model: in case of power failure, data saving and impulses reception without battery.
  - Synchronised models: at each start the clocks wait for the synchronisation signal.
- **Time accuracy**..... 0.2 second/day (in independent mode and out of synchronisation).
- **Operation**..... Silent.
- **Digit**..... 7 segments with 4 LEDs each.
- **Hours and minutes separating**..... Colon made of LEDs.
- **Configuration**..... 2 touch buttons.
- **NTP/ETH and NTP/Wi-Fi models**.....
  - Synchronisation unicast, multicast and by DHCP.
  - Advanced configuration from the embedded web server.

## MECHANICAL FEATURES

- **Construction**..... PC/ABS black (IP30, IK07) and anti-glare PMMA glass (matte finish).
- **Operating temperature range**..... -5 to +55°C.
- **Weight**..... 0.53 Kg.
- **Dimensions**..... See on the back.

## ELECTRICAL FEATURES

- **Power supply**.....
  - Independent, impulse, AFNOR, DHF and NTP/Wi-Fi models: 100-240VAC.
  - Wireless DCF model: 230VAC.
  - NTP/ETH model: PoE (Power over Ethernet) – class 0.
- **Consumption (max)**.....
  - 100-240 VAC ; 250-150 mA.
  - 230 VAC ; 35 mA.
  - NTP/ETH receiver ; 3 W (red, green, yellow) ; 1.5 W (blue, white).
- **Electric protection**.....
  - NTP/ETH model: Class 3.
  - Other Synchronisations: Class 2.

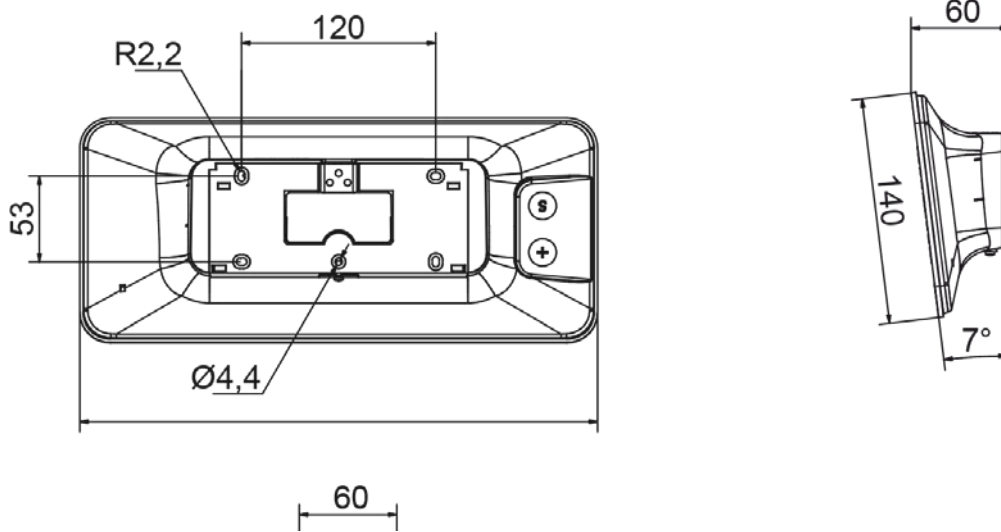
## STYLE 7 REFERENCES (BY SYNCHRONISATION)

- |  |   |
|--|---|
| • <b>946 41x</b> ..... Independent model | • <b>946 48x</b> ..... NTP/Wi-Fi model              |
| • <b>946 42x</b> ..... Impulse model     | • <b>946 001</b> ..... Double sided hanging bracket |
| • <b>946 43x</b> ..... DCF model         | • <b>946 002</b> ..... Single sided hanging bracket |
| • <b>946 44x</b> ..... DHF model         | • <b>946 080</b> ..... External Wi-Fi antenna       |
| • <b>946 45x</b> ..... AFNOR model       |   |
| • <b>946 47x</b> ..... NTP/ETH model     |   |
- Specify the LED colour by replacing the "x" in the reference number by: 1: red - 2: green - 3: yellow - 4: blue - 5: white



## WALL MOUNTING

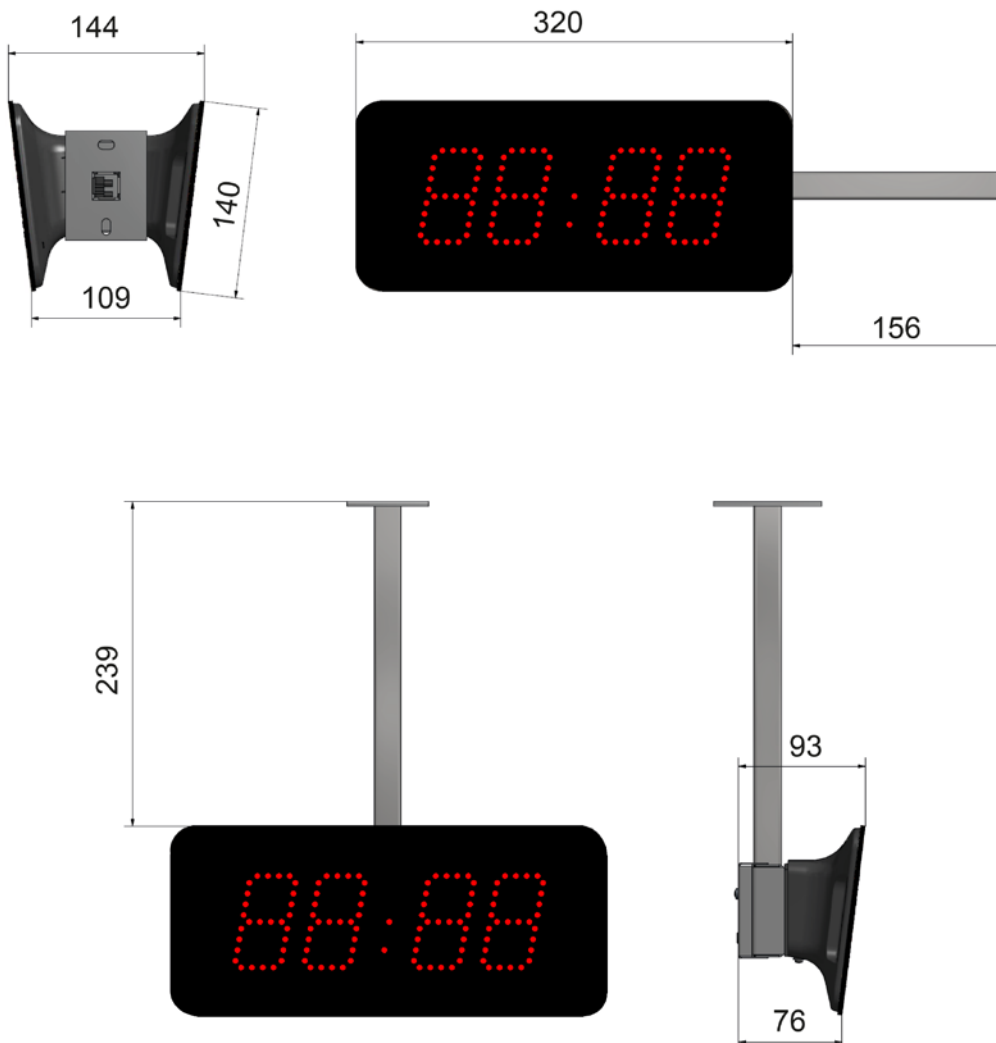
Dimensions in mm



## MOUNTING ON HANGING BRACKET

- The hanging bracket makes possible to hang the clock from the ceiling or from the wall.
- Construction: Steel.
- Colour: Black.

Dimensions in mm



## DESCRIPTION

- Style 7 flush mounting indoor digital clock having the same electronics and the same operation than the normal version except for the temperature. However the mechanics are different to allow for flush mounting in a wall.
- LED colour: red.
- Models: independent, impulse, wireless DHF\*, AFNOR and NTP/ETH.

## FLUSH MOUNT VERSION



## GENERAL FEATURES

- Same as Style 7 normal version (see page 1)

## MECHANICAL FEATURES

- **Construction**..... Black steel (IP30, IK07) and anti-glare PMMA glass (matte finish).
- **Operating temperature range**..... 0 to +50°C.
- **Weight**..... 0.765 kg (NTP: 0.750 kg).
- **Dimensions**..... See next page.

## ELECTRICAL FEATURES

- Same as Style 7 normal version (see page 1)

## REFERENCES STYLE RECESSED 7 (BY SYNCHRONISATION)

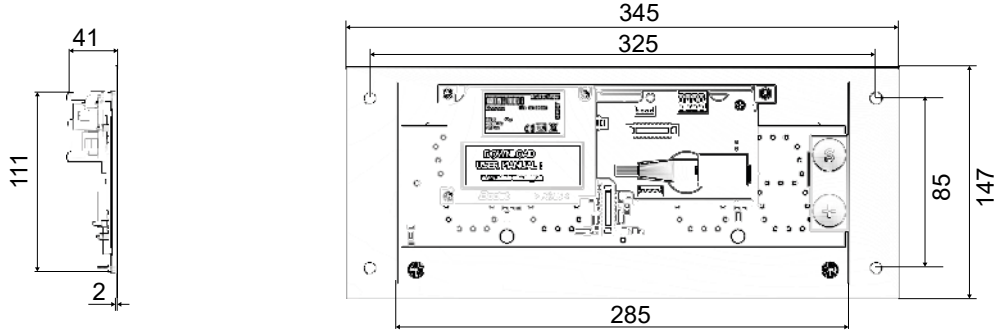
- **946 411 F**..... Independent model
- **946 421 F**..... Impulse model
- **946 441 F**..... DHF model\*
- **946 451 F**..... AFNOR model
- **946 471 F**..... NTP/ETH model
- **946 014**..... Back cover for recess mounting

\* Flush mounting is possible but not in metallic partition or equivalent which would perturb the reception of radio signal.

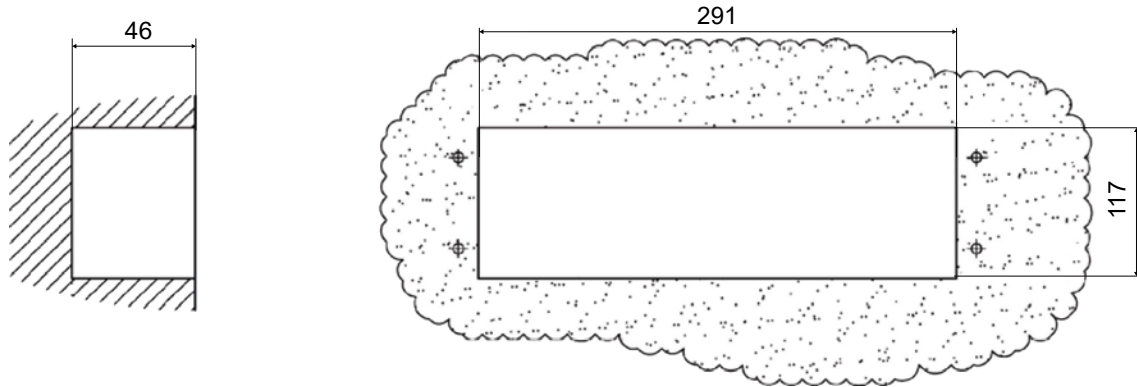
## DIMENSIONS

Dimensions in mm

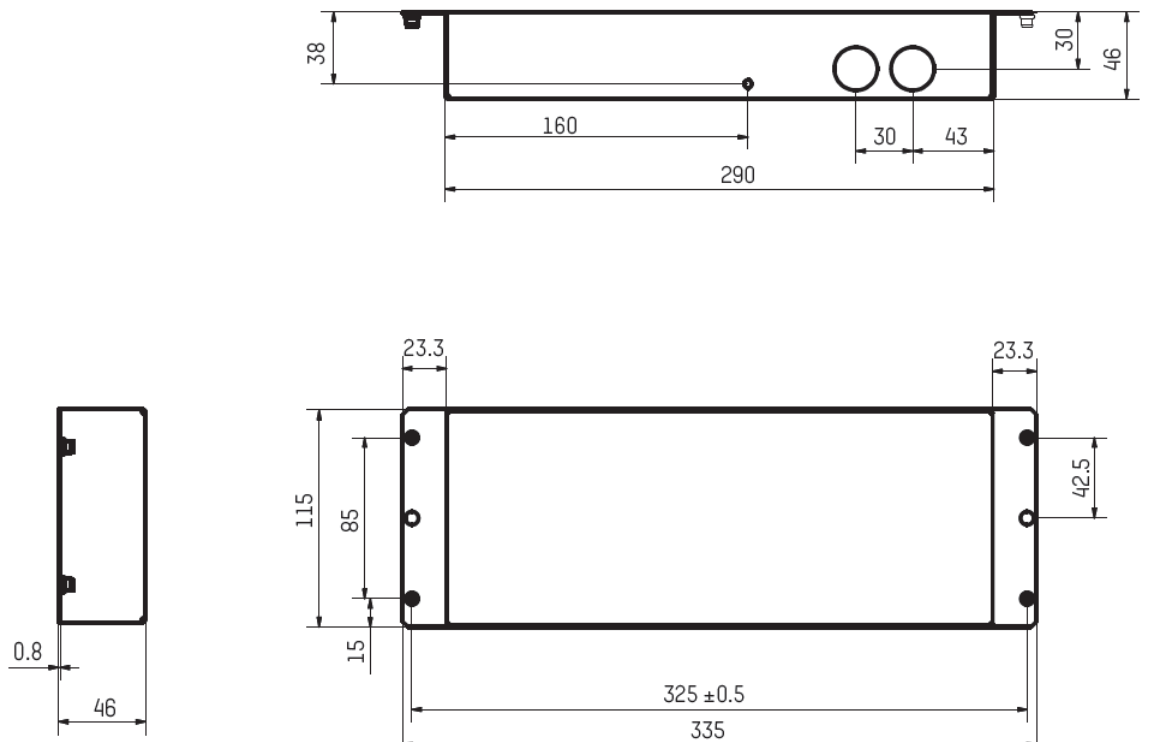
### Clock



### Size



### Flush mounting back cover



## DESCRIPTION

- Style 7 waterproof indoor digital clock having the same electronics and the same operation than the normal version. However the mechanics are different to allow for an IP65 Ingress protection rating.
- LED colour: red.
- Models: independent, impulse, DHF, AFNOR and NTP/ETH.

## WATERPROOF VERSION



## GENERAL FEATURES

- Same as Style 7 normal version (see page 1).

## MECHANICAL FEATURES

- Same as Style 7 normal version (see page 1).
- In order to guarantee an IP65 Ingress Protection, the grommets are waterproof and silicon seals are installed between the bracket and the clock casing.

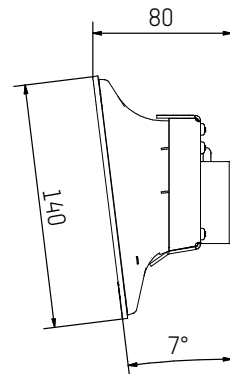
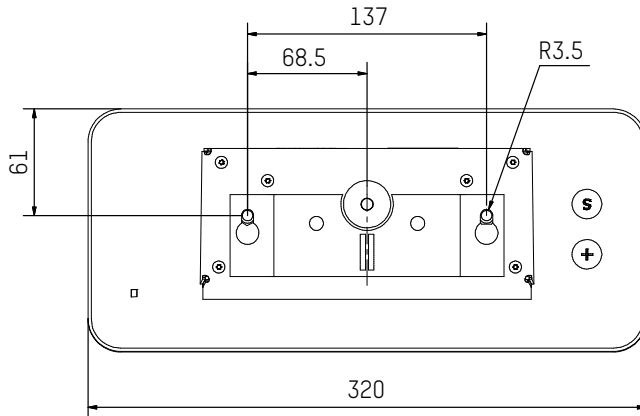
## ELECTRICAL FEATURES

- Same as Style 7 normal version (see page 1).

## DIMENSIONS

- Dimensions for wall mounting:

Dimensions in mm



## REFERENCES STYLE 7 WATERPROOF (BY SYNCHRONISATION)

- 946 411 A..... Independent model
- 946 421 A..... Impulse model
- 946 441 A..... DHF model
- 946 451 A..... AFNOR model
- 946 471 A..... NTP/ETH model