

# LoRa REPEATER

## PRESENTATION

- The LoRa repeater increases the range of the LoRa remote controls to a LoRa PPMS receiver connected to the Sigma master clock which sends PPMS alerts to Melodys or Harmonys sounders.
- Technology LoRa.



## COMPLIANCE

- Directive EMC 2014/30/EU
- Directive LVD 2014/35/EU
- Directive RED 2014/53/EU

## TECHNICAL CHARACTERISTICS

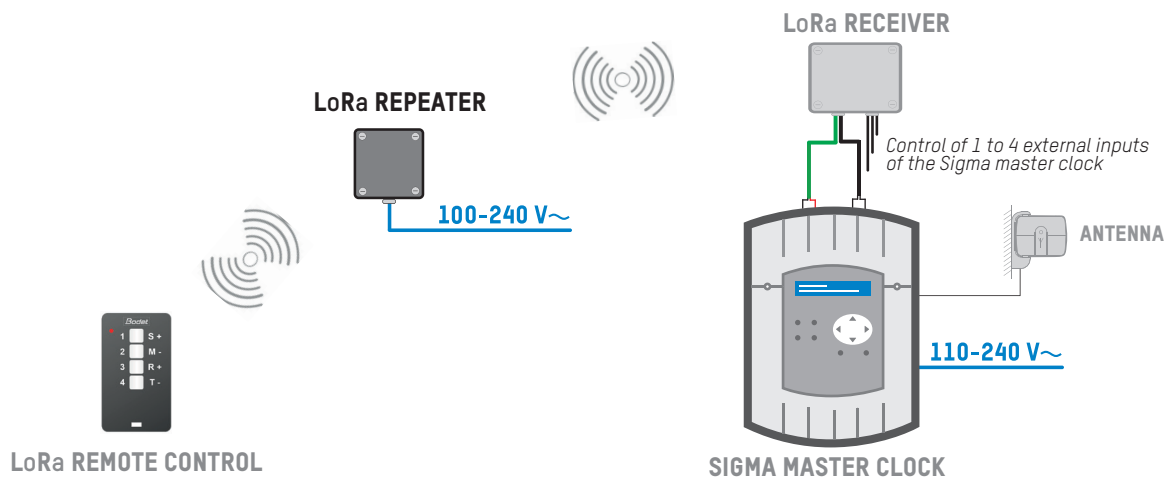
- **Radio frequency**..... 868,3 MHz
- **Transmitting power**..... 25 mW (14 dBm)
- **Coverage**..... Maximum 1 km in open field, 100 to 200 m inside buildings.
- **Power supply**..... 100-240V~, 50/60Hz
- **Nominal power**..... 0,8 W
- **Construction**..... Grey ABS casing - IP55
- **Dimensions**..... 105 x 105 x 55 mm
- **Operating temperature range**..... -10°C to +55°C
- **Electrical insulation**..... Class II
- **Weight**..... 240 g
- **Autonomy**..... 6 hours in case of main power failure. Technology: Supercapacitor (no battery)

## OPERATION

After pairing the remote control LoRa this product repeats the signal sent toward the main receiver which is connected to the master clock thus increasing the distance between the remote control and the main receiver.

The repeater is equipped with a LED indicator which shows the status of the supercapacitor charge.

## SYNOPTIC



## REFERENCE

- 907 556..... LoRa Repeater