



# Time management

Synchronising • Distributing • Displaying time

## Profil 750-760-780-7100

# Bodet

www.bodet-time.com

MADE IN FRANCE

### DESCRIPTION

- Analogue clock for outdoor use.
- Hour and Minute (HM) or Hour, Minute and Second display (HMS) depending on the model.
- Several dial diameters: 50 cm (P750), 60 cm (P760), 80 cm (P780) or 100 cm (P7100).
- Dial markings: figures, notches or DIN.
- Optional: LED lighting, polycarbonate glass (vandal-proof), reinforced watertightness (IP65).
- Optional according to models: sealing plate (double-sided), single-sided bracket arm with or without back cover, backup battery.

### COMPLIANCE

- Directives: LVD 2014/35/EU, EMC 2014/30/EU.

### TECHNICAL FEATURES

#### Mechanical features

- Construction..... Glass: tempered glass or vandal-proof polycarbonate glass (optional).  
Bezel: grey aluminium (RAL 9006).
- Mounting..... Wall mounting or on bracket arm.
- Protection index..... IP54 / IP65 (optional).  
Tempered glass pane: IK08.  
Polycarbonate glass: IK10.
- Operating temperature..... -33°C to +55°C.
- Relative humidity... 85% not condensed.
- MTBF..... 100 000 hours.
- Viewing distance...
 

	P750	P760	P780	P7100
	50 m	60 m	80 m	100 m
- Weight\*.....
 

	Tempered glass		Polycarbonate	
	SS	DS	SS	DS
P750	8.1 kg	13.3 kg	7.1 kg	11.3 kg
P760	11 kg	17 kg	9.5 kg	14 kg
P780	16.3 kg	28 kg	13.7 kg	22.8
P7100	22 kg	-	19 kg	-

\*Single-sided (SS): ± 0.2 kg / Double-sided (DS): ± 0.4 kg according to the type of movement.

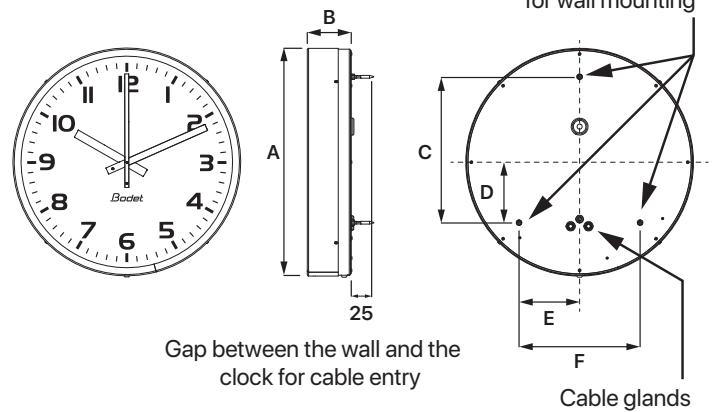
- Dimensions..... See opposite.



Single-sided (SS)

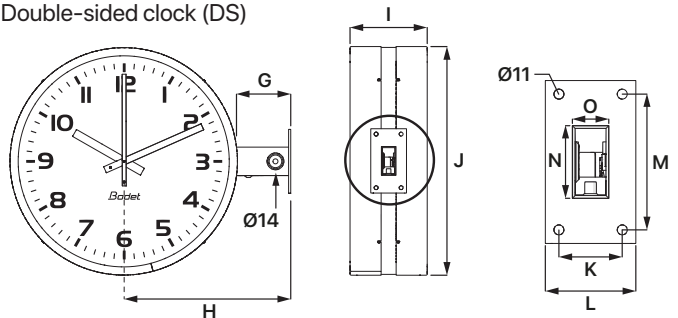
Double-sided (DS)

#### Single-sided clock (SS)



	A	B	C	D	E	F
P750	540	125	325	135	135	270
P760	640	125	410	170	170	340
P780	840	125	570	230	250	500
P7100	1040	125	660	220	381	762

#### Double-sided clock (DS)



	G	H	I	J	K	L	M	N	O
P750	153	423	216	540	70	100	150	74	34
P760	150	470	216	640	70	100	150	74	34
P780	160	580	218	840	70	100	150	74	34

Dimensions in mm



# Time management

Synchronising • Distributing • Displaying time

## Profil 750-760-780-7100

# Bodet

www.bodet-time.com

MADE IN FRANCE

### Electrical features

Movement	Power supply	Electrical protection	Maximum consumption	
			SS	DS
24V minute impulse	-	-	10mA	20mA
AFNOR	230 V~	Class 1	30mA	30mA
Radio GPS-DCF	230 V~	Class 1	30mA	30mA
NTP/ETH	230 V~	Class 1	60mA	70mA
NTP/ETH	PoE*	Class 1	35mA	35mA

\*Power Over Ethernet (PoE)

#### Maximum consumption - Lighting (100-240V~)

P750		P760		P780		P7100
SS	DS	SS	DS	SS	DS	SS
0.16	0.28	0.25	0.4	0.3	0.68	0.38
-	-	-	-	-	-	-
0.08A	0.13A	0.12A	0.2A	0.18A	0.35A	0.23A

### MOVEMENTS AND SYNCHRONISATION

Movement	Description
24V minute impulse	Slave clocks are connected to a distribution line and activated through electrical impulses sent every minute by the master clock.
AFNOR	The coded time distribution consists in transmitting a comprehensive time message every second: the receivers are automatically and rapidly set to the correct time as soon as they are connected to the clock line. The AFNOR coded time does not emit disturbances, and is insensitive to other electrical interferences.
Radio GPS-DCF	The clock is independent since the time information comes from its own time base, which is corrected by the signal from the DCF transmitter in the event of a drift. Radio synchronisation enables to display time with accuracy. Automatic summer/winter time change.
NTP/ETH (Network Time Protocol)	Slave clocks are connected to the Ethernet network with a PoE or 230V~ power supply. Time is synchronised by the time server or the master clock via the NTP protocol in unicast, multicast or DHCP mode. Clocks are supervised via the SNMP protocol to ensure their proper operation.

### REFERENCES

Profil 750		Profil 760		Type	Movement
SS	DS	SS	DS		
948 11x	948 21x	948 31x	948 41x	HM	24V minute impulse
948 12x	948 22x	948 32x	948 42x	HM	AFNOR 230V~
948 13x	948 23x	948 33x	948 43x	HMS	AFNOR 230V~
948 14x	948 24x	948 34x	948 44x	HM	NTP 230V~
948 15x	948 25x	948 35x	948 45x	HMS	NTP 230V~
948 16x	948 26x	948 36x	948 46x	HM	NTP PoE
948 17x	948 27x	948 37x	948 47x	HMS	NTP PoE
Profil 780		Profil 7100		Type	Movement
SS	DS	SS			
948 51x	948 61x	Contact us		HM	24V minute impulse
948 52x	948 62x	Contact us		HM	AFNOR 230V~
948 53x	948 63x	Contact us		HMS	AFNOR 230V~
948 54x	948 64x	Contact us		HM	NTP 230V~
948 55x	948 65x	Contact us		HMS	NTP 230V~
948 56x	948 66x	Contact us		HM	NTP PoE
948 57x	948 67x	Contact us		HMS	NTP PoE

Replace the "x" by the number corresponding to the desired dial model. Add an "E" at the end of the reference to have the lighting option. For example: 948 341E: Profil 760 NTP 230V~ with figures and LED lighting.

(depending on the reference "NTP PoE" or "NTP 230V~", the movement is powered by a PoE or a 230V~ power supply, but the lighting is powered by a 100-240V~ power supply).

Add a "P" at the end of the reference to have the vandal-proof polycarbonate glass.

For example: 948 341P: Profil 760 NTP 230V~ with figures and polycarbonate glass.

Add an "A" at the end of the reference to have the IP65 reinforced watertightness.

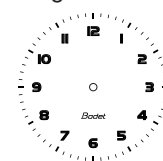
These options can be combined (starting with the lighting reference). For example: 948 341EPA: Profil 760 NTP 230V~ with figures, LED lighting, polycarbonate glass and reinforced watertightness.

Radio-synchronised clock: AFNOR 230V~ model with synchronisation antenna.

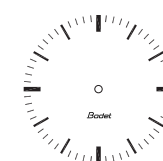
For example: DCF radio-synchronised antenna: 948 321 + 907 026.

#### Dial models (x):

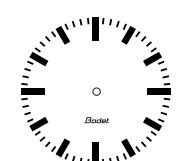
1: Figures



2: Notches



3: DIN





# Time management

Synchronising • Distributing • Displaying time

Profil 750-760-780-7100

# Bodet

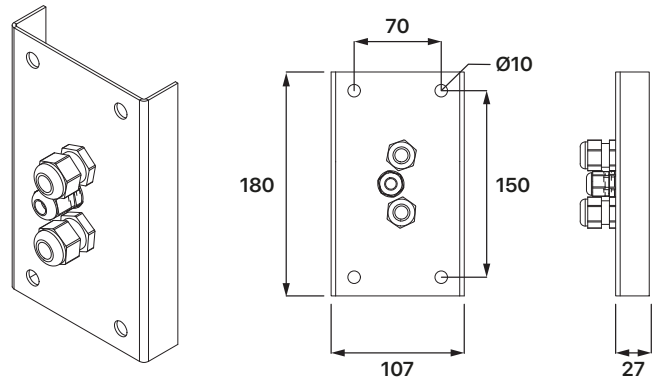
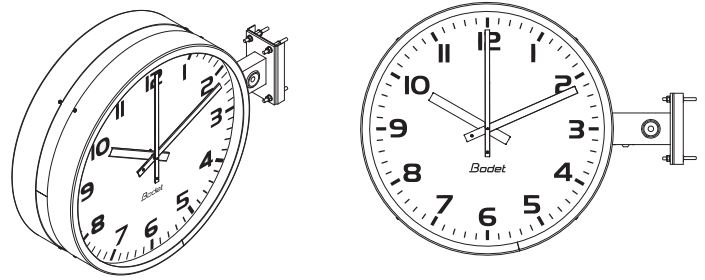
www.bodet-time.com

MADE IN FRANCE

## ACCESSORIES

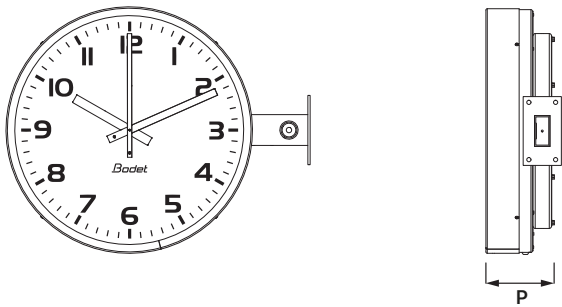
- 907 026..... DCF antenna.
- 907 048..... GPS-DCF PROG antenna.
- 948 001..... IP65 sealing plate for double-sided clock.
- 948 002..... Bracket arm for P750 single-sided clock.
- 948 003..... Back cover for P750 single-sided bracket arm.
- 948 004..... Bracket arm for P760 single-sided clock.
- 948 005..... Back cover for P760 single-sided bracket arm.
- 948 006..... Bracket arm for P780 single-sided clock.
- 948 007..... Back cover for P780 single-sided bracket arm.
- 948 011..... 7X0 backup battery for single-sided AFNOR model.
- 948 012..... 7X0 backup battery for NTP models (single and double-sided) and double-sided AFNOR model.

IP65 sealing plate for double-sided clock

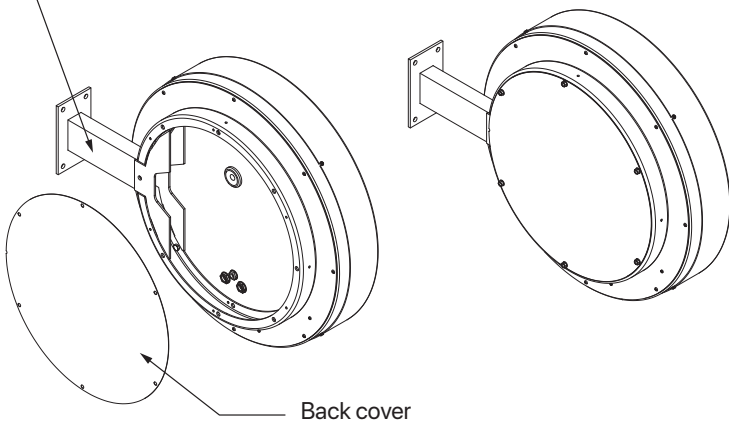


Dimensions in mm

Bracket arm for single-sided clock with back cover (optional)



Bracket arm for single-sided clock



	P	
P750	172	Other dimensions: identical as double-sided clocks.
P760	172	
P780	173	

Dimensions in mm