

PROFIL RADIO RECEIVER

DESCRIPTION

- The **BT radio** receiver permits to display the time with perfect accuracy on Profil receiver clocks.
- It can drive up to 2 Profil clocks.
- DCF radio-synchronisation.
- Bi-directional radio reception with double antenna (no need to turn the BT Radio round).
- Output: 1.5V minute polarised impulses.

STANDARDS

- Standard (Immunity) EN 61000-6-1
- Standard (Emissions) EN 61000-6-3
- Standard EN 60950: Information Technology Equipment - Safety.



See product page on
>> www.bodet-time.com <<



GENERAL FEATURES

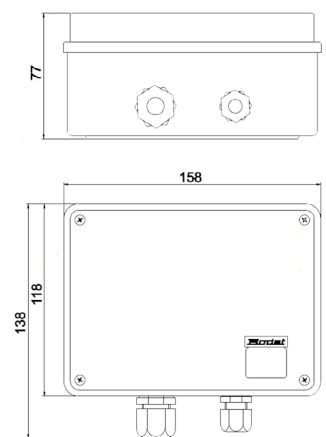
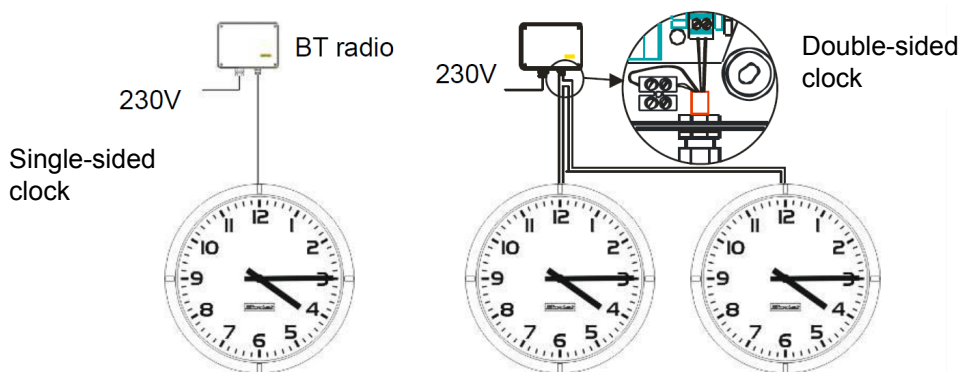
- **2 LED indicators**..... Green LED: mains presence.
Red LED: synchronisation quality.
- **Operation**..... Silent.
- **Autonomy**..... minimum 72 hours.
- **Dip choice**..... Europe hour, Europe +1 or Europe -1.
- **Dip Start/Stop and dip choice**..... single-side/double-side.
- **Check/set button**..... Synchronisation test / manual impulses control.

MECHANICAL FEATURES

- **Construction**..... ABS casing, IP54, IK07. Fixing by 2 screws.
- **Operating temperature**..... -20 to 50°C.
- **Humidity**..... 93% at 40°C.
- **Weight**..... 0.46 Kg.

ELECTRICAL FEATURES

- **Power supply**..... 230V AC, possibility to be powered by street lighting network.
In this case, the street lighting network supply the system during the night.
(minimum 4 hours).
- **Consumption**..... Lower to 15 mA
- **Electric insulation**..... Classe II.
- **Output impulses**..... Minute 1.5V.



Dimensions in mm

REFERENCE

- **933 011**..... Bt Radio receiver with DCF synchronisation (mains 230V / street lighting)

