

DESCRIPTION

- Indoor or outdoor (back-lit) analogue clock.
- Hour-Minute or Hour-Minute-Second display, depending on the model.
- Optimal viewing distance : 60 metres.
- Colour : white.
- Safety glass lens or optional: anti-vandalism polycarbonate crystal.
- Dial models: Arabic figures or minute notches or DIN.
- Models: quartz, 24V second, 24V minute, AFNOR, NTP.
- Lighting (outdoor clock): low consumption LED.



STANDARDS

- Standard EN 50081-1: Generic Emissions.
- Standard EN 50082-1 and 50082-2: Generic Immunity.
- Standard EN 55022 class B: Information Technology Equipment – Radio disturbance characteristics.
- Standard EN 60950: Information Technology Equipment – Safety.

MECHANICAL FEATURES

	Profil 960 Single-Sided Indoor model	Profil 960 Single-Sided Outdoor model	Profil 960 Double-Sided Outdoor model
Front casing material	SMC 25% glass fibre reinforced polyester		
Back cover	As standard: no bracket	SMC 25% glass fibre reinforced polyester	The steel drum of the double sided bracket guarantees the watertightness

WIRED MODELS

	Movement	Power supply	Operating temperatures	IP	IK	Display	Weight	Dwg (See in the back)
Profil 960I SF	Quartz with remote keyboard	230 VAC* 50Hz ±10%	-25°C to +70°C	40	08	HM	7.7 kg	1
	24V ½ minute	-	-0°C to +50°C	40	08	HM	7.7 kg	1
	24V minute	-	-0°C to +50°C	40	08	HM	7.7 kg	1
	serial ½ minute	-	-25°C to +70°C	40	08	HM	7.7 kg	1
	AFNOR TBT**	6 to 24 VDC AC or DC	-25°C to +70°C	40	08	HM	8.1 kg	1
	NTP	Power Over Ethernet (PoE)	- 25°C to +70°C	40	08	HM	7.5 kg	1
Profil 960E SF	Quartz with remote keyboard LED	230 VAC* 50Hz ±10%	-25°C to +70°C	53	08	HM	16.5 kg	2
	24V minute LED	230 VAC 50Hz ±10%	-25°C to +70°C	53	08	HM	16.5 kg	2
	serial ½ minute	230 VAC 50Hz ±10%	-25°C to +70°C	53	08	HM	15.2 kg	2
	NTP	230 VAC 50Hz ±10%	-25°C to +70°C	53	08	HM/HMS	14.7 kg	2
	AFNOR **	230 VAC 50Hz ±10%	-25°C to +70°C	53	08	HM/HMS	17.2 kg	2
Profil 960E DF	Quartz with remote keyboard LED	230 VAC* 50Hz ±10%	-25°C to +70°C	43	08	HM	29.4 kg	3
	serial ½ minute	230 VAC 50Hz ±10%	-25°C to +70°C	43	08	HM	25 kg	3
	24V minute LED	230 VAC 50Hz ±10%	-25°C to +70°C	43	08	HM	29.4 kg	3
	AFNOR **	230 VAC 50Hz ±10%	-25°C to +70°C	43	08	HM/HMS	30 kg	3
	NTP	230 VAC 50Hz ±10%	-25°C to +70°C	43	08	HM/HMS	25 kg	3

SF= single-sided, DF= double-sided, I=Indoor, E=Outdoor, HM = Hour-Minute, HMS= Hour-Minute-Second. * 230V AC power supply only via a time setting control box (Ref.: 933007).

** Optional TBT power supply:
938 914 - 230 V/TBT power supply (10 clocks) to embed in standard wall case.
938 916 - 230 V/TBT power supply (10 clocks) with 230V power socket.

** Interface outdoor reception/AFNOR, optional 230V power supply:
927 245 - DHF / AFNOR interface.

REFERENCES

960 Indoor SF model	960 E SF Outdoor model	960 E DF Outdoor model	
933 21*1	934 26*1	934 26*6	Quartz with remote keyboard
933 511	934 561	934 566	24V minute
933 611	-	-	Serial ½ minute
933 811	-	-	AFNOR TBT
-	934 96*1	934 96*6	AFNOR HM
-	934 061	934 066	AFNOR HMS
933 F11	-	-	NTP PoE
-	934 M61	934 M66	NTP 230V HM
-	934 N61	934 N66	NTP 230V HMS

* The penultimate figure of the reference corresponds to the dial type: - Indoor model: 1= figure, 2= notch, 3=DIN. Example: 933111= figure dial, 933121=notch dial.
- Outdoor model: 6= figure, 7= notch, 8=DIN.

Optional: anti-vandalism polycarbonate crystal for Profil 960: add "P" to the reference number.

LED-illumination detail



Consumption LED lighting	SF	DF
	20 W	28 W



MOVEMENTS AND SYNCHRONISATION

• Quartz movement with remote keyboard

The clock is completely autonomous. The time information is provided by its own time system.

• 1/2 minute serial impulse slave movement

Slave clocks are connected to a distribution line and activated through electrical impulses sent every ½ minute by the master clock.

• IRIG-B/AFNOR coded time receiver

The coded time distribution consists in transmitting a complete time message every second: the setting on time of the receivers is realised automatically and immediately after connection to the clock line.

The IRIG-B/AFNOR coded time does not transmit interference and is insensitive to other electrical interference.

• 1.5V serial impulse slave movement (for BT radio)

Slave clocks are connected to a radio synchronisation box (BT radio) that generates electrical impulses every minute.

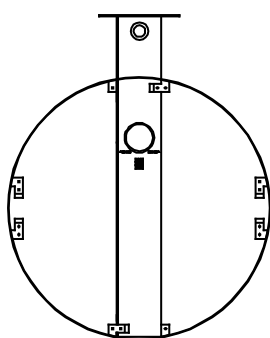
• 24V minute impulse

Slave clocks are connected to a distribution line and activated by means of electrical impulses transmitted every minute by the master clock.

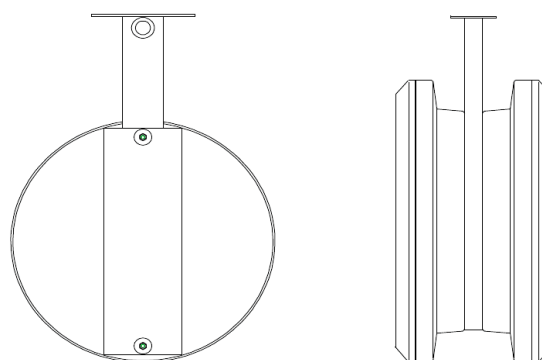
• Network Time Protocol (NTP)

Slave clocks are connected to the Ethernet network and powered by PoE (Power over Ethernet) (consumption: 25mA at 48 V DC). The time is synchronised by the time server or the master clock using the NTP protocol: in NTP (unicast, multicast or DHCP mode).

① Double-sided bracket for clock indoor

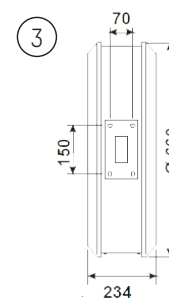
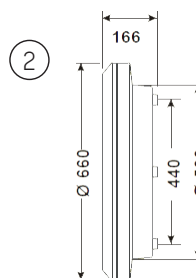
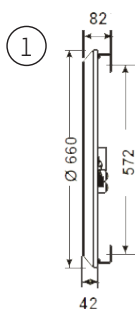


② Double-sided bracket for clock outdoor



A double-sided clock consist of 2 single-sided clocks + a double-sided bracket.

Swivel arm system for



MOUNTING ACCESSORIES

- 933 001..... Double-sided bracket for outdoor Profil
- 933 003..... Double-sided bracket for indoor Profil
- 933 007..... Time setting control box
- 933 011..... BT radio DCF 230V

Dimensions in mm



DESCRIPTION

- Indoor (DHF) or outdoor (back-lit) analogue clock.
- Hour-Minute or Hour-Minute-Second display, depending on the model.
- Optimal viewing distance : 60 metres.
- Colour : white.
- Safety glass lens or optional: anti-vandalism polycarbonate crystal.
- Dial models: Arabic figures or minute notches or DIN.
- Models: DHF or AFNOR.



STANDARDS

- Standard EN 50081-1: Generic Emissions.
- Standard EN 50082-1 and 50082-2: Generic Immunity.
- Standard EN 55022 class B: Information Technology Equipment- Radio disturbance characteristics.
- Standard EN 60950: Information Technology Equipment - Safety.
- Standard EN 300-220-3: Physical Interoperability Standard for Radio Equipment - Short Range Devices, and standard EN 301-489-3: EMC Standard for Radio Equipment.

MECHANICAL FEATURES

	Profil 960 Single-Sided Indoor model	Profil 960 Single-Sided Outdoor model	Profil 960 Double-Sided Outdoor model
Front casing material	SMC 25% glass fibre reinforced polyester		
Back cover	As standard: no bracket	SMC 25% glass fibre reinforced polyester	The steel drum of the double sided bracket guarantees the watertightness

WIRELESS MODELS

	Movement	Power supply	Operating temperatures	IP	IK	Display	Weight	Dwg
Profil 960I SF	DHF	2 1.5V LR14 batteries	- 5 °C to +50°C	40	08	HM	7.5 kg	1
	DHF TBT	230 VAC 50Hz ±10%	- 5 °C to +50°C	40	08	HM	7.5 kg	1
Profil 960E SF	AFNOR + Radio LED**	230 VAC 50Hz ±10%	- 25 °C to +70°C	53	08	HM/HMS	17.2 kg	2
Profil 960E DF	AFNOR + Radio LED**	230 VAC 50Hz ±10%	- 25 °C to +70°C	43	08	HM/HMS	30 kg	3

SF= single-sided, DF= double-sided, I=Indoor, E=Outdoor, HM = Hour-Minute, HMS= Hour-Minute-Second.

** Optional TBT power supply:

938 914 - 230 V/TBT power supply (10 clocks) to embed in standard wall case.

938 916 - 230 V/TBT power supply (10 clocks) with 230V power socket.

REFERENCES

960 Indoor SF model	960 E SF Outdoor model	960 E DF Outdoor model	
-	934 96*1 + 907 025	934 96*6 + 907 025	AFNOR HM
-	934 061 + 907 025	934 066 + 907 025	AFNOR HMS
933 B1*1	-	-	DHF battery
933 C11	-	-	DHF 230 VAC

* The penultimate figure of the reference corresponds to the dial type:

- Indoor model: 1= figure, 2= notch, 3=DIN. Example: 933111= figure dial, 933121=notch dial.

- Outdoor model: 6= figure, 7= notch, 8=DIN.

Optional: anti-vandalism polycarbonate crystal for Profil 960: add "P" to the reference number.

LED-illumination detail



Consumption LED lighting	SF	DF
	20 W	28 W

MOVEMENTS AND SYNCHRONISATION

• DHF (Standard NFS 87-500 C)

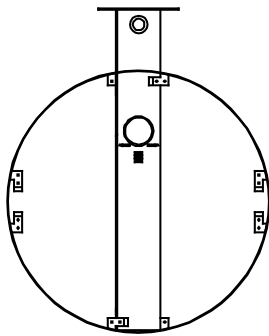
The DHF clocks pick up the radio signal sent by the master clock and synchronise automatically. If radio reception is poor, the clocks keep time thanks to their own time system.

• AFNOR (Standard NFS 87-500 A)

The coded time distribution consists in transmitting a complete time message every second: the time on the receivers is automatically and immediately set after connection the clock line.

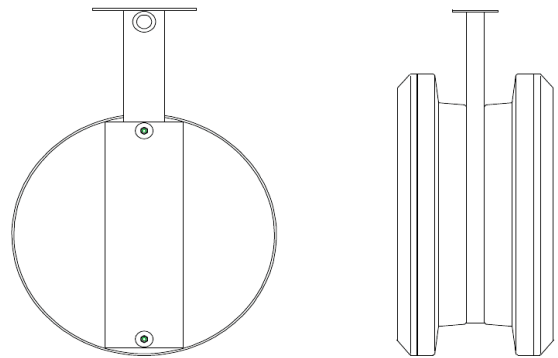
The AFNOR coded time does not interfere with other transmissions, and is insensitive to other electrical interference.

① Double-sided bracket for clock indoor

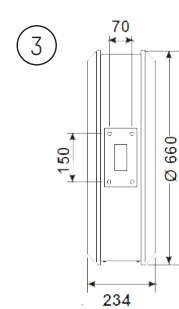
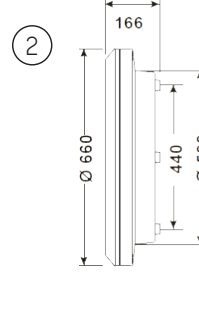
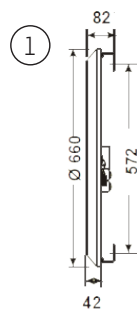


A double-sided clock consist of 2 single-sided clocks + a double-sided bracket.

② Double-sided bracket for clock outdoor



Swivel arm system



MOUNTING ACCESSORIES

- 933 001..... Double-sided bracket for outdoor Profil
- 933 003..... Double-sided bracket for indoor Profil