



# An all-in-one audio solution

Synchronise • Alert • Communicate

## Harmonys Flash Indoor (3 colours)



# Bodet

www.bodet-time.com

MADE IN FRANCE

### DESCRIPTION

- The luminous indoor Harmonys Flash (RGB) emits light signals in the same way as melodies are broadcast via the Harmonys audio speaker (the programming is identical to all Harmonys).
- Controlled by the Sigma master clock via Ethernet network (IP).
- 1 "Test" push-button.
- 2 LEDs give indication on the operation status:
  - The green LED "~" indicates that the unit is powered up.
  - The green/red LED "Ψ" indicates that the system is being configured.
- 4 levels of adjustable brightness.



### COMPLIANCE

- LVD 2014/35/EU, EMC 2014/30/EU, RoHS 2011/65/EU standards.

### RECOMMANDATION(S)

- It is recommended to install the indoor Harmonys Flash:
  - in direct view of all people present in the lighting area.
  - in each room where people will be present.
  - in the location least exposed to light sources for better contrast.

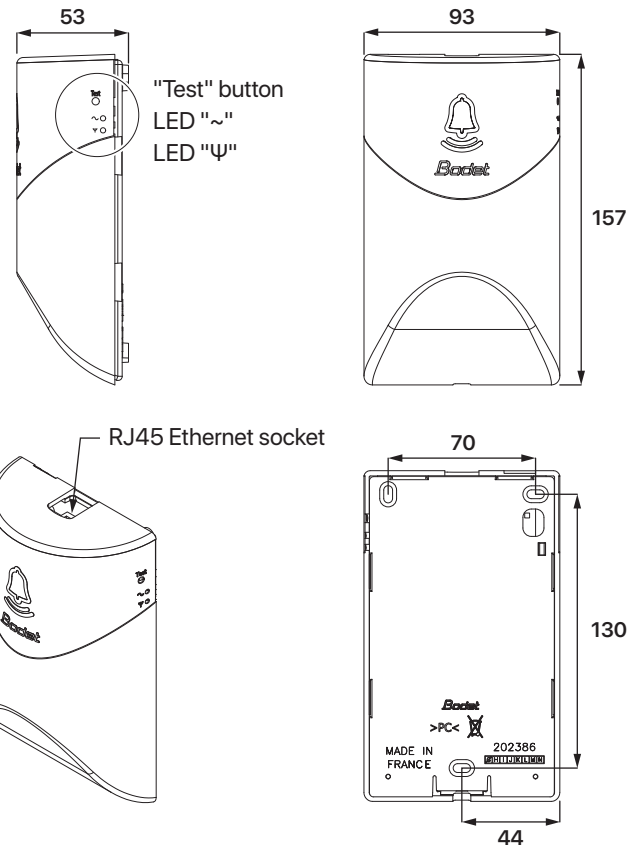
### OPERATION

- The configuration is carried out via the product's web server.
- 3 light sequences are available:
  - alternating green and white.
  - alternating red and white.
  - alternating blue and off (blue flash at 1Hz).
- 3 light sequences for configuration:
  - "Tracking" mode: alternating white and off.
  - "Test" mode: alternating white, red, green and blue.
  - "Repeater error" mode: alternating red and off.
- Repeater mode: in the case of different subnets, the operation between two Harmonys Flash is in unicast mode (client/server).
- SNMP supervision: information sent by SNMP traps (reset, repeater problem, information while a melody is being played...).

### TECHNICAL FEATURES

#### Mechanical features

- Construction..... Translucent polycarbonate casing.
- Mounting..... Wall or ceiling mounting.
- Protection index..... IP30, IK02.
- Weight..... 350g.
- Cable entry..... Socket for the RJ45 Ethernet network cable on top of the product.
- Operating temperature... 0°C to +50°C.
- Dimensions..... See opposite.



Dimensions in mm

#### Electrical features

- Power supply..... PoE.
- Maximum consumption.. 7W.
- Maximum brightness..... 60 candela/m<sup>2</sup> (white).
- Electrical isolation..... Class III.

### REFERENCE(S)

907 798..... Harmonys Flash Indoor (3 colours).