

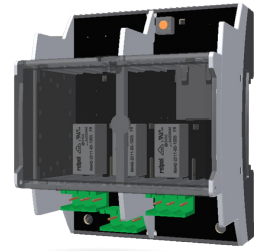
DESCRIPTION

- IP relay boxes receive command messages from a Sigma master clock via the IP network. They can be used to trigger bells and to program many different functions such as heating, air conditioning, lighting, alarms, access control, etc.
- Relay boxes have 3 R/T relay outputs with independent programming.
- The settings of these products can be adjusted via their built-in web server.
- **For security purposes, an IP relay box must only switch circuits of either dangerous voltage (DV) or safety extra low voltage (SELV).**

STANDARDS

- EN 60950: Safety of information technology equipment.
- EN 55032: Electromagnetic Compatibility of Multimedia Equipment
- EN 55024: Immunity of information technology equipment standard.

Indoor version



Outdoor version



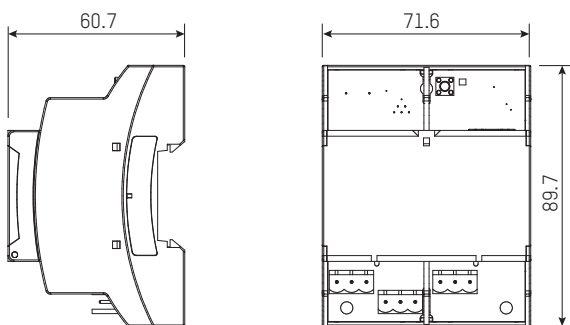
TECHNICAL FEATURES

- **Test**..... 1 button.
- **Mains power indicator light**..... - Continuous green LED = product receiving power supply.
- LED out = product not receiving power supply.
- **Network indicator light**..... - Green LED flashing rapidly = connection to network in progress.
- Green LED flashing slowly = connected to network.
- Red LED flashing slowly = loss of network connection or failure to connect to network.

MECHANICAL FEATURES

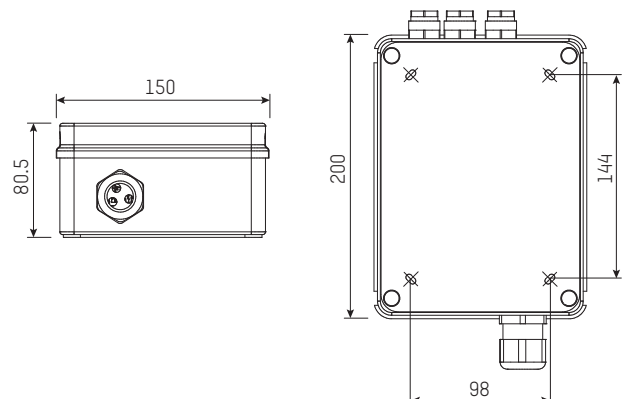
- **Protection class**..... IP2x (DIN rail version) or IP54, IK07 (outdoor version).
- **Operating temperature**..... -20 to +55°C.
- **Weight**..... Indoor model: 100 g.
Outdoor model: 600 g.
- **Mounting**..... Indoor model: clips directly onto a DIN rail.
Outdoor model: wall mounting.

Indoor version



Dimensions in mm

Outdoor version

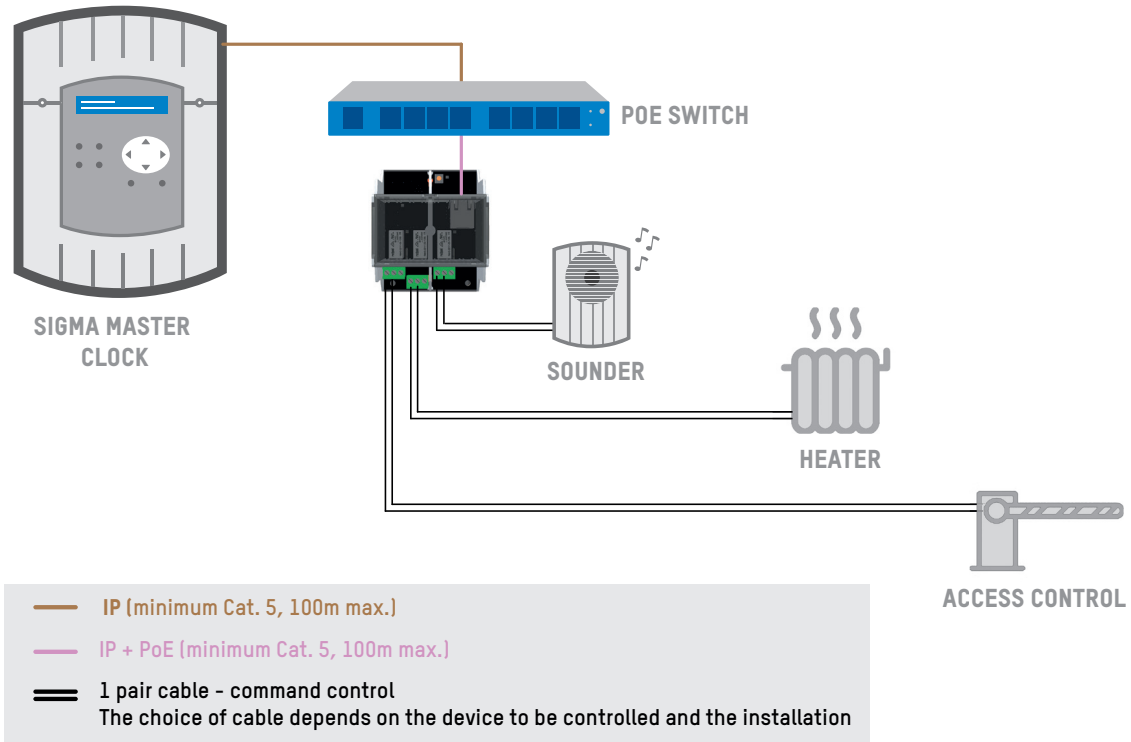


RELAY BOX

ELECTRICAL FEATURES

- Power supply..... PoE.
- Consumption..... 2 W
- Circuits breaking capacity AC 1A/240V AC
DC 1A/30VDC

SUMMARY



REFERENCES

- 907 791..... 3 R/T relay box DIN PoE (indoor)
- 907 792..... 3 R/T relay box IP54 PoE (outdoor)