

PoE INJECTOR

DESCRIPTIONS

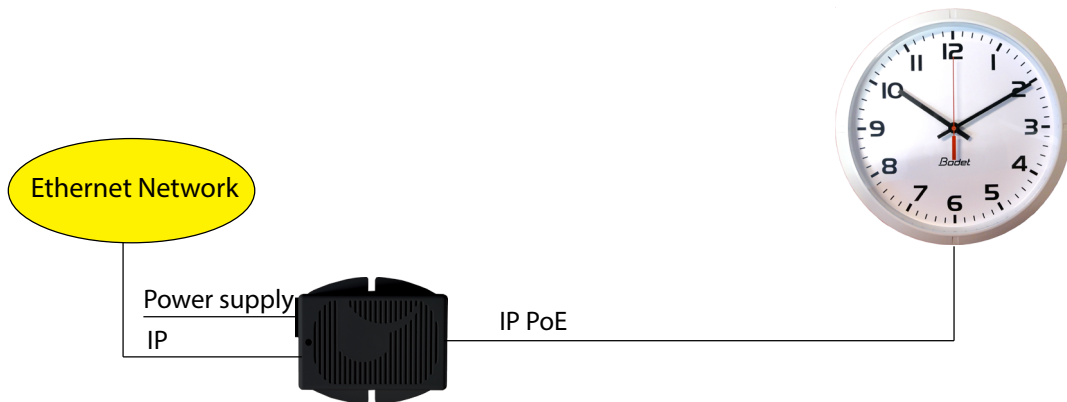
- The PoE (Power over Ethernet) current injector is a compact and economical solution to power NTP products from the Ethernet network if it is not already IP PoE compatible.
- The injector automatically detects and protects Ethernet PoE terminals. It eliminates the need of external power source by providing a compact power supply that is reliable on an existing Ethernet infrastructure.
- It is compatible with the following Bodet products: Cristalys, Opalys, Style and Profil clocks.
- Supplied with power cord.



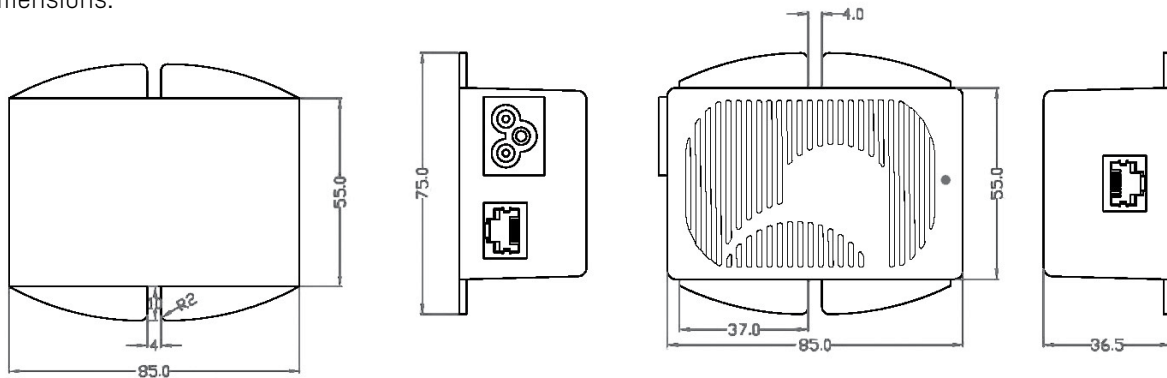
TECHNICAL FEATURES

- **Input power source**..... 90-264 VAC, 50-60 Hz.
- **Consumption**..... < 0.4 A at 110 VAC.
- **Output voltage**..... 48 VDC.
- **Output current**..... 0.32 A.
- **Operating temperature**..... From 0°C to +40°C.
- **Construction**..... Black ABS housing.
- **Weight**..... 0.15 Kg.

See product page on
>> www.bodet-time.com <<



Overall dimensions:



A bicolour LED turning green indicates the proper detection of the PoE product.

REFERENCE

- 927 223..... PoE Injector 15W.

Dimensions in mm



export@bodet.com

Non-contractual document. © 2016, Bodet SA. All rights reserved.

>> www.bodet-time.com <<