

DESCRIPTION

- The FI antenna is aimed to ensure a perfect time synchronisation for clock systems thanks to radio time code reception.
- The FI antenna picks up the time code transmitted from the France Inter longwave transmitter located in central France (Allouis).
- The time code includes the hour, minute, day, date and synchronising signal data (Central European time)
- It ensures automatically the summer/winter changeovers and guarantees absolute accuracy.



See product page on
 >> www.bodet-time.com <<

STANDARDS

- Radio: EN 300-220-3
- EMC of radio devices: EN 301-489-3
- Safety: EN 60950.

GENERAL FEATURES

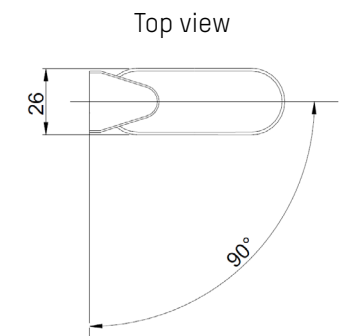
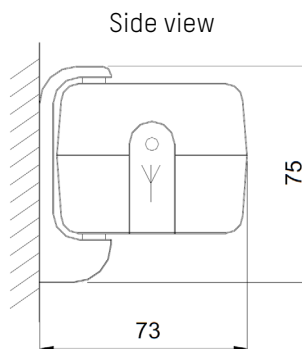
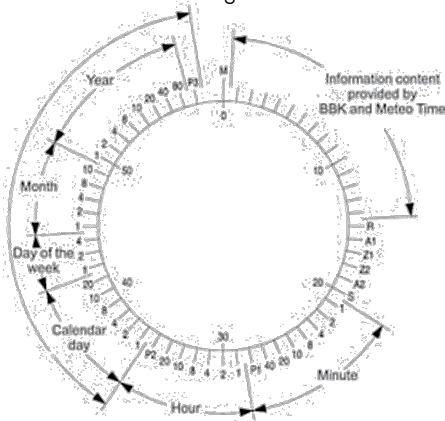
- **Radio frequency**..... 162 KHz.
- **Power supply**..... 8-20VDC.
- **Connection**..... 1 cable.
- **Cable**..... 2 conductors, section 0,25 mm², 5 m provided with the antenna.
- **Construction**..... Grey ABS casing with swivelling support.
- **Operating temperature**..... -20°C to +50°C.
- **Storage temperature**..... -40°C to +85°C.
- **Protection index**..... IP53 – IK04.
- **Weight**..... 170 g.

OPERATION

- Red LED indicates the antenna status.
- Red LED flashing once per second: synchronised.
- Red LED flashing quickly and stopping regularly: not yet synchronised.
- Red LED off: antenna not supplied with power.



Time message content :



REFERENCE

- 907 025..... FI antenna

Dimensions in mm