

# IRIG B/AFNOR LINE AMPLIFIER

## DESCRIPTION

- Device designed to amplify the IRIG-B/AFNOR signal in order to increase the number of slave clocks to be synchronised or increase the length of the synchronisation line.
- Can synchronise up to 50 clocks over 30km max.
- Can be used to provide a galvanic isolation of a clock line.
- No parameter setting is required for this product .



See product page on  
>> [www.bodet-time.com](http://www.bodet-time.com) <<



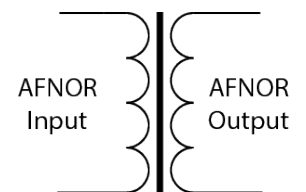
## STANDARDS

- Standard NF S 87-500 A of may 1987.
- Standard NF EN 55022 (Emission).
- Standard NF EN 55024 (Immunity).
- Standard NF EN 60950 (Security).
- They are intended for residential, commercial or light industrial environment.

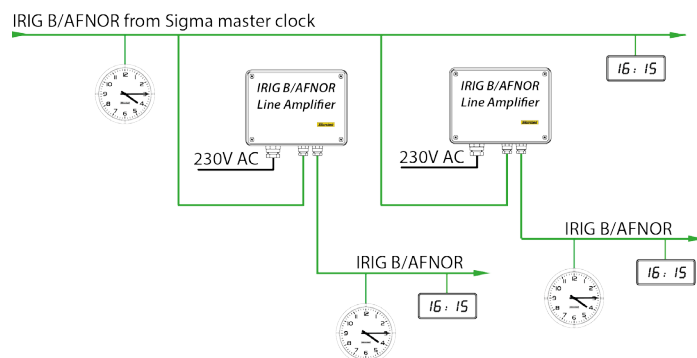
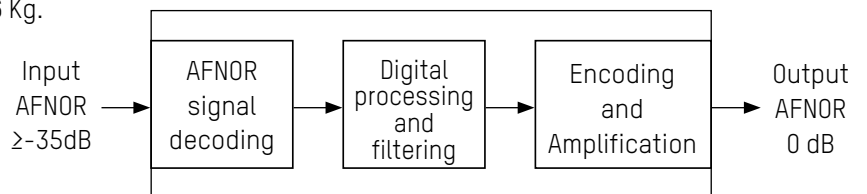
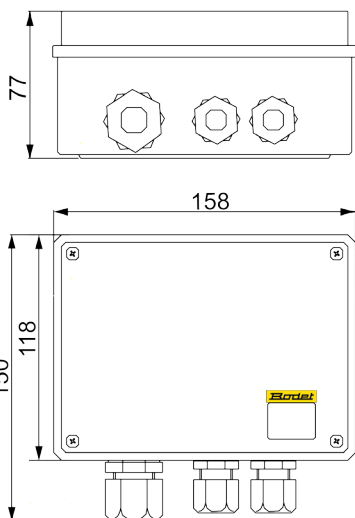
## TECHNICAL FEATURES

- **IRIG-B/AFNOR Repeater**..... Re-transmission of a non-attenuated IRIG-B/AFNOR signal. (Input  $\geq 35\text{dB}$  --> Output : 0dB).
- **Signal amplification**..... Free of noise and eventual errors.
- **Impulses decoupling**..... Mixed Afnor/Impulses distribution line.
- **Input and Output**..... Galvanically isolated.
- **IRIG-B/AFNOR Input signal**..... Can be attenuated by 35dB max.
- **2 LED indicators**..... Presence of power and signal reception.
- **Card electronics**..... Protected by a 200mA fuse (F1).
- **Electrical insulation**..... Class II.
- **Construction**..... ABS casing, IP55.
- **Operation**..... Silent.
- **Operating temperature range**..... -10 to 50°C.
- **Power supply**..... 230V AC.
- **Current rating**..... 15mA max.
- **Humidity**..... 80% at 40°C.
- **Weight**..... 0.46 Kg.

### Galvanic isolation



Protection and electrical isolation by transformer



## REFERENCE

- 927 220..... IRIG B/AFNOR Line Amplifier (230V AC)

Dimensions in mm

